

PHILIPS

Transmitter IR Point

IRT9020



Operating Instructions

Instructions d'installation

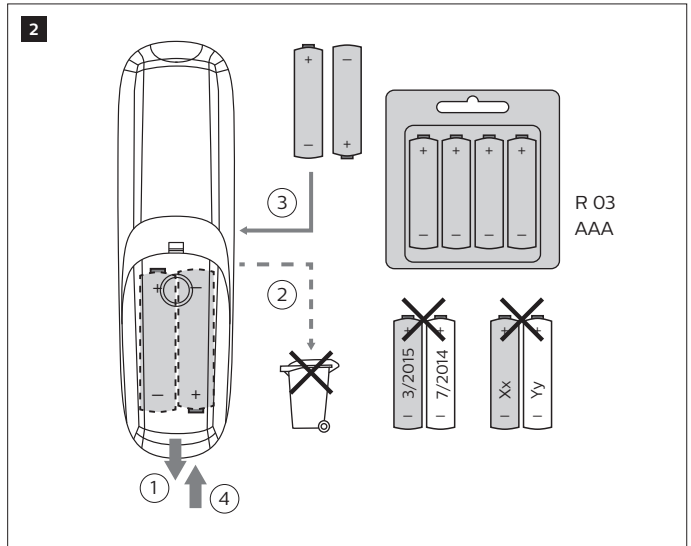
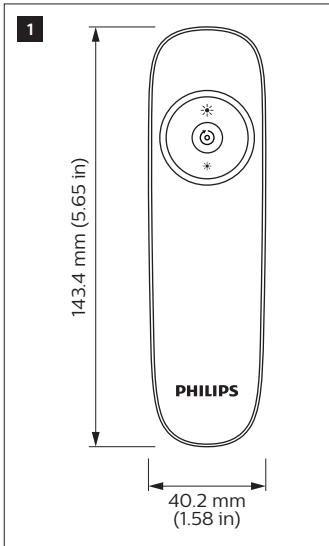
Installationsanweisungen

Instrucciones de instalación

Istruzioni per l'installazione

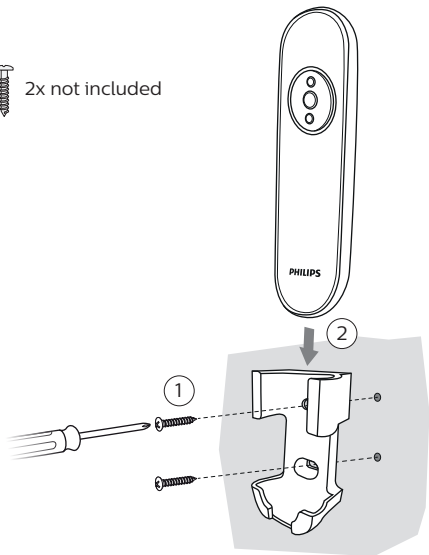
Installatie-instructies

インストール手順

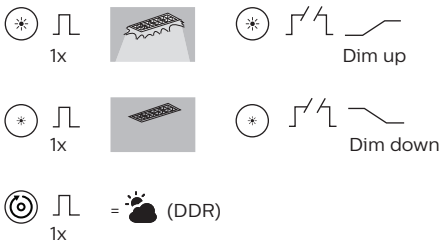
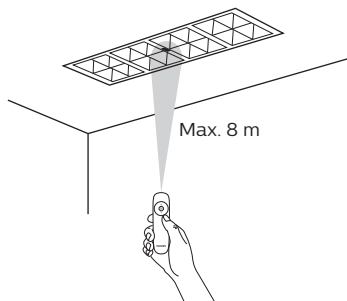


3

2x not included

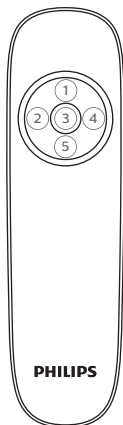


4



5

Select IR channel



- $t = 5\text{ s}$
- ③ + ① → channel A (default)
 - ③ + ② → channel B
 - ③ + ④ → channel C
 - ③ + ⑤ → channel D

