

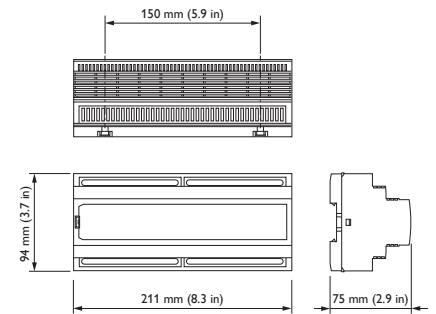


DDRC810GL Relay Controller

On/Off control of all types of mains rated equipment

The Philips Dynalite DDRC810GL provides on/off control of any type of switched load. The device features 8 x switched SPST common supply outputs, with a maximum total box load of 20A.

- Common supply SPST output relays — Suitable for on/off control of all types of mains rated equipment.
- Flexible mounting solution — A DIN-rail mountable device, designed to be installed into the distribution board supplying power to the controlled circuit.
- Inbuilt diagnostic functionality — Features circuit run time tracking on each channel and Device Online/Offline status indication.
- Standalone or networked operation — Can operate as a discrete standalone unit, or as part of an integrated control system when connected to the DyNet network.



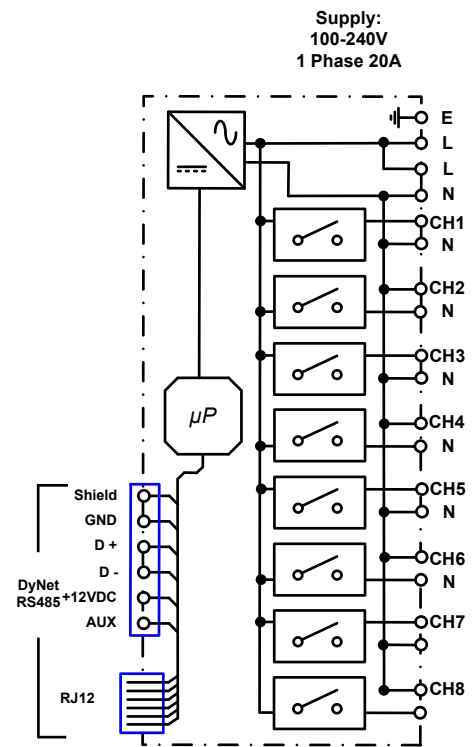
For detailed product information, please refer to the product information pages at www.philips.com/dynalite and follow the links.

Specifications

Due to continuous improvements and innovations, specifications may change without notice.

Item	Specification	Details
Electrical	Input Voltage	100 - 240 VAC 50 / 60 Hz Single Phase @ 20 A
	DyNet DC Supply	12 V @120 mA (supply for approx 6 user interfaces)
	Outputs	8 x switched SPST common supply outputs: resistive relay contact TV5 rated 16 A 250 VAC Maximum device load 20 A
Control	Control Inputs/Outputs	One DMX512 / RS-485 DyNet serial port One programmable dry contact AUX input
	User Controls	Service override switch for each channel Diagnostic LED
	Internal Controls	Programmable Logic Controller
	Preset Scenes	170
	Diagnostic Functions	Device online/offline status Circuit run time tracking on each channel
	Physical	Supply Terminals
Output Terminals		C, NO, NC for each channel 1 x 4 mm ² maximum conductor size
Dimensions (H x W x D)		94 mm x 211 mm x 75 mm (3.7" x 8.3" x 2.9")
Packed Weight		0.82 kg
Construction		Polycarbonate DIN-rail enclosure (12 unit)
Operating Conditions		Temperature: 0 to 50° C ambient Humidity: 0 to 95% non-condensing
Storage & Transport		Temperature: -25 to 60° C ambient Humidity: 0 to 90% non-condensing
Certification		Certification
Options & Ordering	Standard Product	DDRC810-GL (Philips 12NC 913703051509)

Electrical Diagram



Philips Dyalite
6 / 691 Gardeners Road
Mascot, NSW 2020
Australia
Tel: +61 2 8338 9899
Email: dyalite.info@philips.com
Web: www.philips.com/dyalite

Specifications subject to change without notice. ©WMGD Pty Ltd Trading as Dyalite. Unit 6, 691 Gardeners Road Mascot 2020 Australia. ABN 33 097 246 921. All rights reserved. Dyalite, DyNet and associated logos are the registered trademarks of WMGD Pty Ltd. Not to be reproduced without permission.